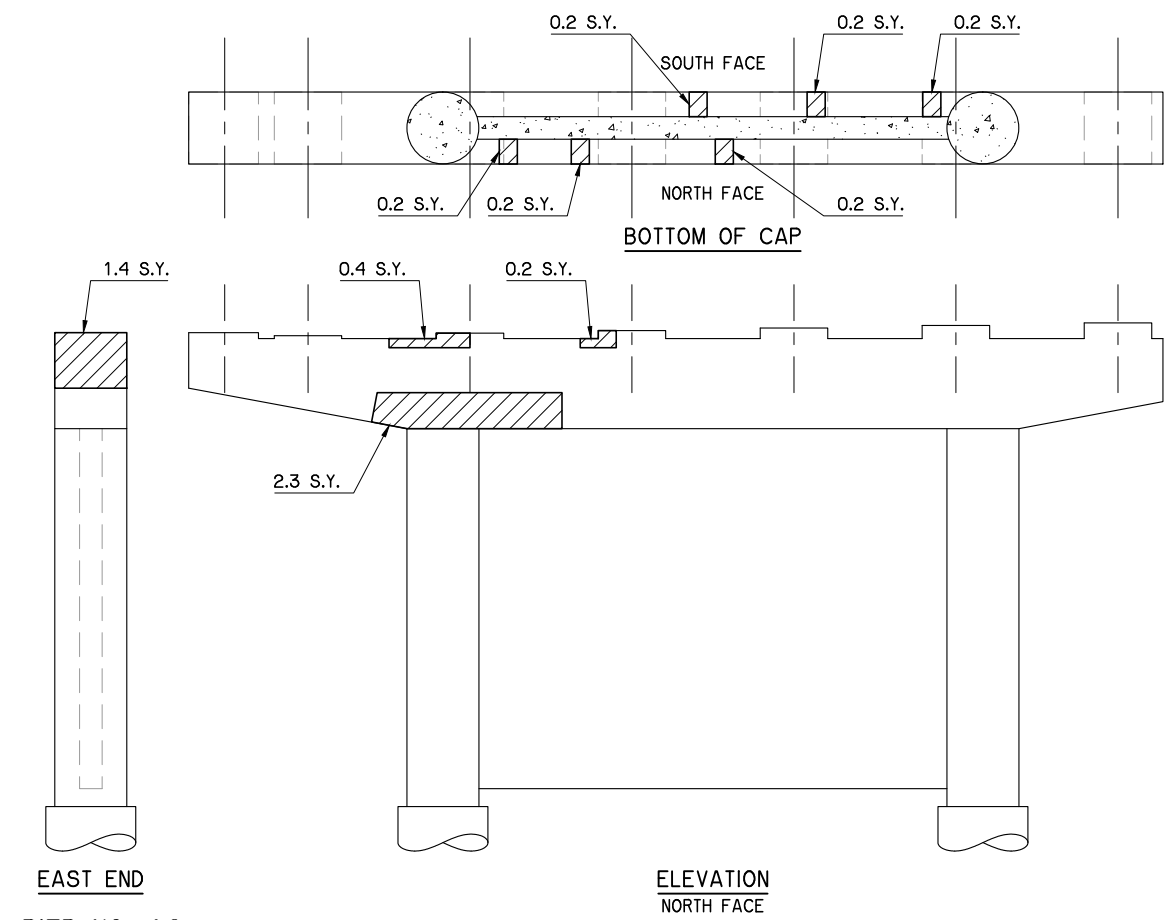
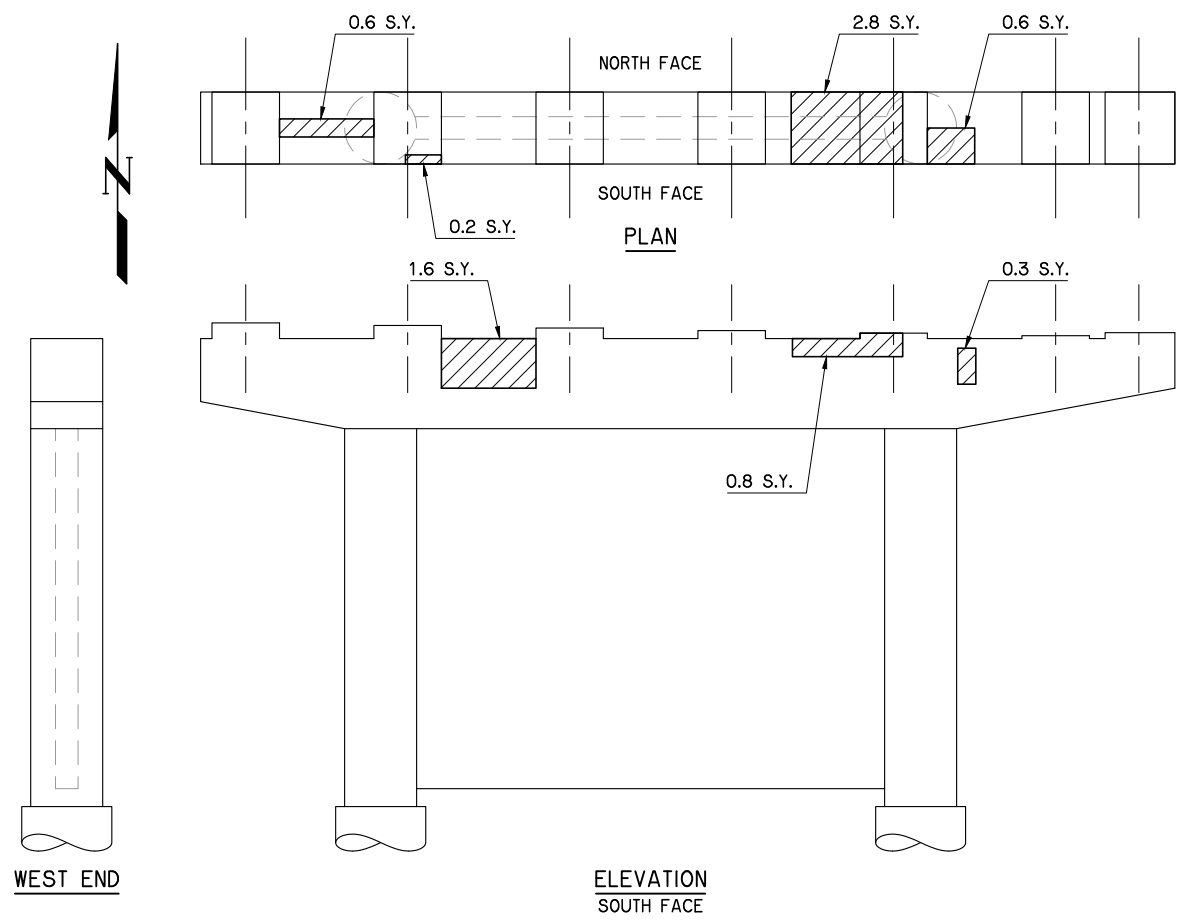
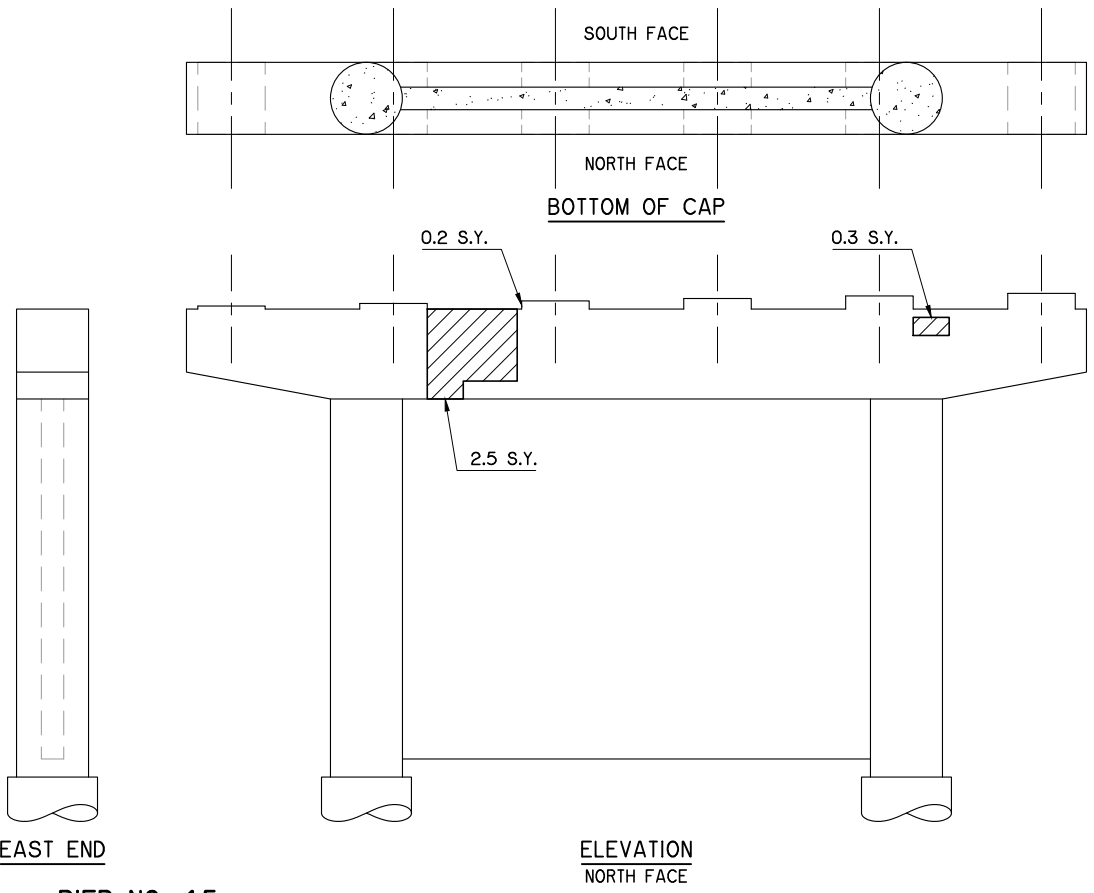
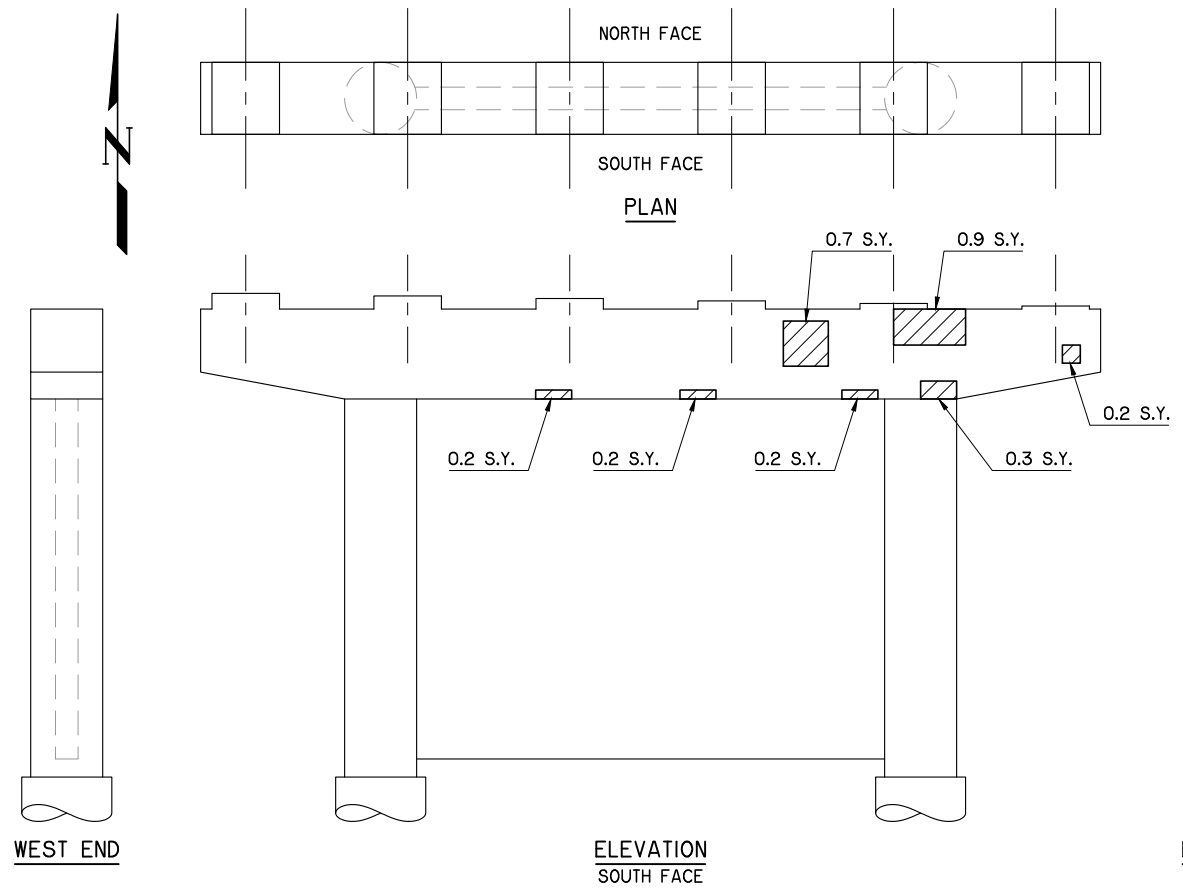


REVISIONS		
REV. NO.	DESCRIPTION	DATE



**LEGEND**

	PREPARATION OF CRACKS (ABOVE WATER)
	REPAIR BRIDGE ITEMS

I:\Active\1626\Drawings\20 Pier 15 & 16.dwg, 6/12/2017 11:12:42 AM, Fred

SH 51 NB OVER ARKANSAS RIVER	TULSA COUNTY	Design	ADT
PIER REPAIR DETAILS PIER NO. 15 AND NO. 16		Detail	FEZ
		Check	ADT
STATE OF OKLAHOMA		WHITE ENGINEERING ASSOCIATES	
DEPARTMENT OF TRANSPORTATION		SHEET NO. 20	
JOB PIECE NO. 31358(04)			